

BIOTEK[®]
we put life in metal

www.biotekortho.com



OSTEOTOMY



Biotek is a global medical device company with a strong focus on new product development in the most advanced orthopedic sector: SPORTS MEDICINE

Biotek continues to experience unprecedented growth and demand for our products throughout the world; we currently have a presence in all six continents around the world. However, Biotek remains a privately held company with a family business culture committed to delivering uncompromising quality to the health care professionals who use our products, and ultimately, the millions of patients whose lives we impact.

2003 Year
Founded

40+ Countries
Our Products
are Used in

100+ Sales
Partners
Globally



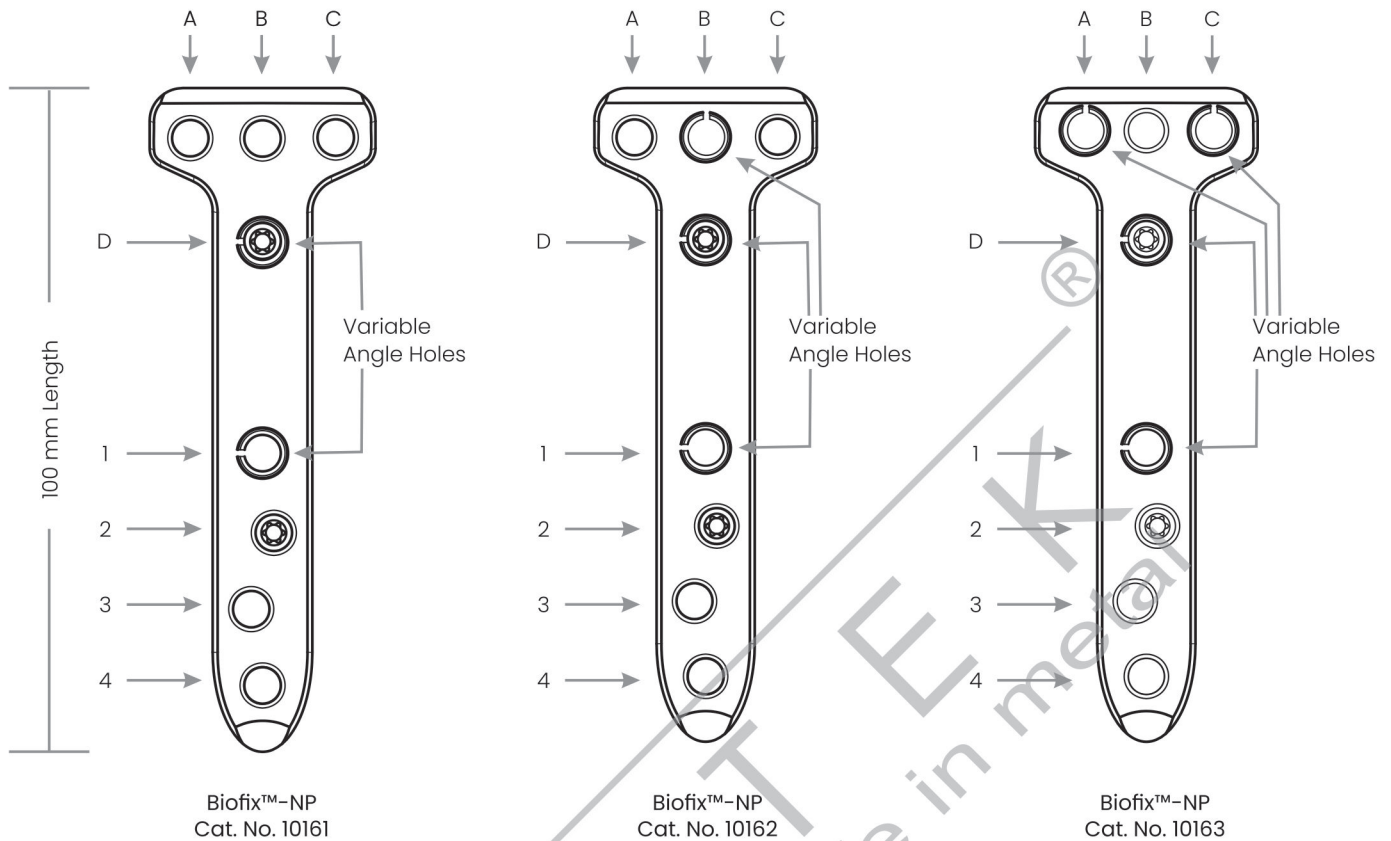
BIOFIX™-NP

(Variable Angle – Narrow Profile)

OSTEOTOMY



- Anatomically designed low profile plate minimizes the need for intraoperative contouring and prevents soft tissue irritation due to hardware prominence.
 - The tapered bevelled plate end facilitates minimally invasive insertion.
 - The solid midsection provides the strength necessary to support the osteotomy gap.
 - Plates are not side-specific and can be used for the left or right tibia.
 - Use of Locking Head Screws provides angular stability.
 - Spacers ensure adequate distance between the plate and the periosteum and pes tendons. This preserves the vascularity and pes irritation.
- Variable angles facilitates redirection of screws without adversely affecting the locking performance of that screw. The locking screws in this system can be angled up to 15 degrees off-center
 - The screw holes are numbered from A-D being proximal and 1-4 being distal to osteotomy
 - 10° downslope in the holes A/B/C fixed angle ensures the screws are directed distally from the joint.
 - The System has three different types of plates to address three indications:
 - High Tibial Osteotomy
 - ACL Reconstruction with HTO
 - Medial Meniscus Posterior Root Repair with HTO
 - Hole numbers D & 1 are variable angled in all the three plates.
 - A variable hole no. D allows the screw to be directed as desired due to the small bone in the proximal segment of the osteotomy.
 - A variable hole no. 1 allows placement of hinge compression cortex screw and later change to a locking head screw in a different angle.
 - The Biofix™-NP (Cat. No. 10162) plate has additional variable angle hole no. B. This is to prevent tunnel coalition between the ACL tibial tunnel and the screw.
 - The Biofix™-NP (Cat. No. 10163) plate has additional variable angle hole nos. A and C. This is to prevent tunnel coalition between the medial meniscus trans-tibial repair tunnel and the screw.
 - Material: Titanium.



ORDERING INFORMATION

BIOFIX™-NP HIGH TIBIAL OSTEOTOMY PLATE, TITANIUM, STERILE

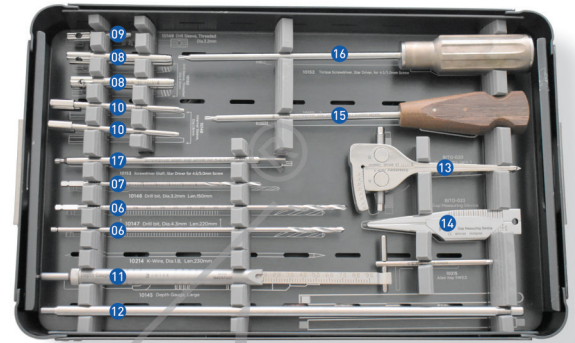
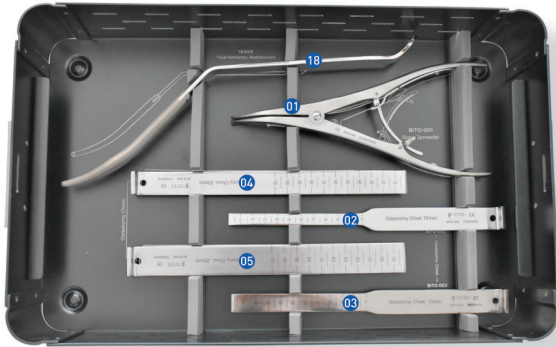
10161	Biofix™-NP locking osteotomy plate len. 100mm, 4 holes (Two variable angle)
10162	Biofix™-NP locking osteotomy plate len. 100mm, 4 holes (Three variable angle)
10163	Biofix™-NP locking osteotomy plate len. 100mm, 4 holes (Four variable angle)

LOCKING HEAD BONE SCREW (STARDRIVE) DIA. 5.0MM, TITANIUM, STERILE

Cat. No.	Screw Len. (mm)	Cat. No.	Screw Len. (mm)	Cat. No.	Screw Len. (mm)	Cat. No.	Screw Len. (mm)
10164	20	10170	32	10176	44	10182	65
10165	22	10171	34	10177	46	10183	70
10166	24	10172	36	10178	48	10184	75
10167	26	10173	38	10179	50	10185	80
10168	28	10174	40	10180	55	10186	85
10169	30	10175	42	10181	60	10187	90

CORTEX SCREW (STARDRIVE) DIA. 4.5MM, TITANIUM, STERILE

Cat. No.	Screw Len. (mm)	Cat. No.	Screw Len. (mm)	Cat. No.	Screw Len. (mm)	Cat. No.	Screw Len. (mm)
10188	26	10191	32	10194	38	10197	44
10189	28	10192	34	10195	40	10198	46
10190	30	10193	36	10196	42	10194	48
						10200	50



01	BITO-001	Bone Spreader
02	BITO-002	Osteotomy Chisel, 10mm
03	BITO-003	Osteotomy Chisel, 15mm
04	BITO-004	Osteotomy Chisel, 20mm
05	BITO-005	Osteotomy Chisel, 25mm
06	10147	Drill Bit, Dia. 4.3mm, Len. 220mm
07	10146	Drill Bit, Dia. 3.2mm, Len. 150mm
08	10150	Drill Sleeve, Threaded Dia. 4.3mm
09	10149	Drill Sleeve, Threaded Dia. 3.2mm
10	10148	Internal Sleeve, Dia. 1.8mm
11	BITO-011	Depth Gauge, Large
12	BITO-016	Alignment Rod, Male/Female
13	BITO-020	BIOFIX™ Osteotomy Jack II
14	BITO-023	Gap Measuring Device
15	10151	Screwdriver, Star Driver, for 4.5/5.0mm Screw
16	10152	Torque Screwdriver, Star Driver, for 4.5/5.0mm Screw
17	10153	Screwdriver Shaft, Star Driver, for 4.5/5.0mm Screw
18	10205	Tibial Retractor, Radiolucent
19	10209	Graphic Case for BioFix™-NP HTO Instruments Set

Note: Allen Key SW3.5 added with BITO-020 (For Osteotomy Jack) - 1Pc

10215 Threaded Guidewire Dia. 1.8mm, Len. 230mm (Pack of 2 in 1)

10214 K-Wire, Dia. 1.8mm, Len. 230mm (Pack of 4 in 1)

Note: 10215 & 10216 is supplied compulsorily in a sterile pack with screws.



www.biotekortho.com



BIOTEK - CHETAN MEDITECH PVT. LTD.
MD 04, Sanand GIDC Gate No. 2,
Ahmedabad - 382110. Gujarat, India.
Email: contact@biotekortho.com



DISTRIBUTED BY

THIS MATERIAL DOES NOT CONSTITUTE MEDICAL ADVICE. IT IS INTENDED FOR INFORMATIONAL PURPOSES ONLY.
PLEASE CONSULT A PHYSICIAN FOR SPECIFIC TREATMENT RECOMMENDATIONS